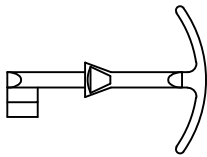


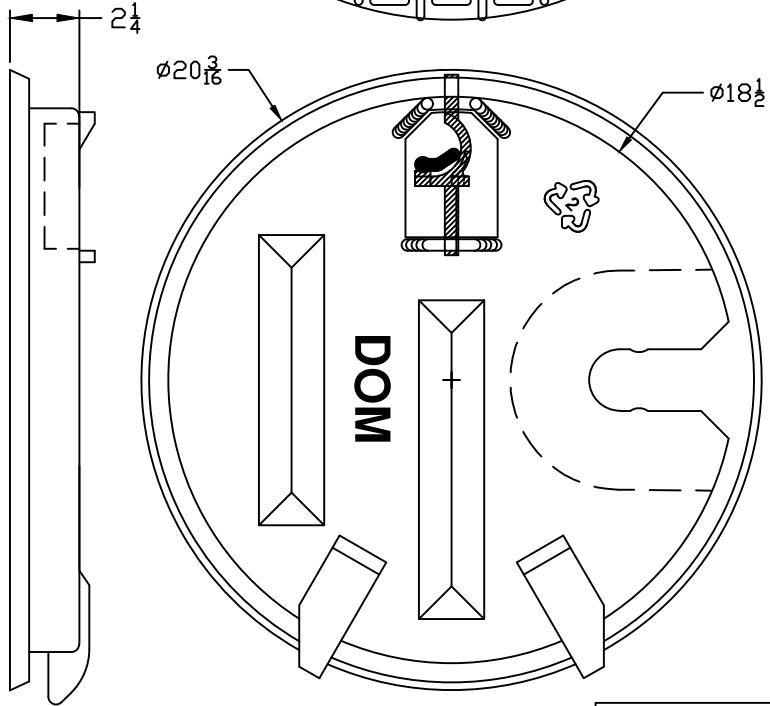
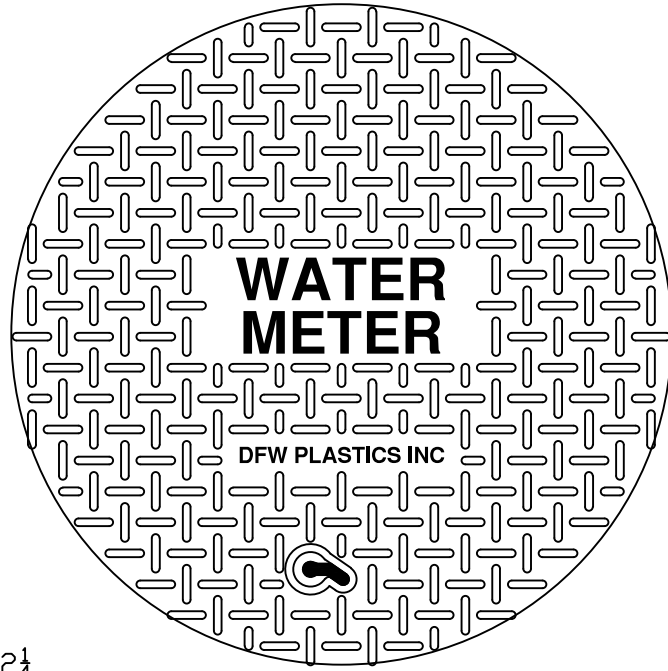
DFW-PLOCK



DFW-SPRING



DFW-KEY



NOTES

- 1) DIM'S $\pm 1/8$ " U.N.O.
- 2) LID MATERIAL: HDPE
- 3) SNAP LOCK POCKET WILL RECEIVE AMR/AMI DEVICE ENDPOINT. SNAP LOCK SLOT IS $1.80" \pm .015"$ TO ALLOW FOR A FINGER FORCE INSTALL. POCKET HEIGHT IS $15/16"$ FOR MIN $1/8"$ AIR GAP.
- 4) ANTI-FLOAT MATERIAL IS AVAILABLE
- 5) LID DESIGNED TO FIT DOMESTIC CAST IRON RING OF SIMILAR DIMENSION.
- 6) USER RESPONSIBLE FOR PROPER INSTALLATION.

DFW PLASTICS, INC. ENGAGES IN ONGOING RESEARCH AND DEVELOPMENT TO IMPROVE AND ENHANCE ITS PRODUCTS. THEREFORE, DFW PLASTICS, INC. RESERVES THE RIGHT TO CHANGE PRODUCT OR SYSTEM SPECIFICATIONS WITHOUT NOTICE.

LID KEY

1	BLACK COLOR
K	PLASTIC LOCK
A	AMR SLIDE MOUNT



DFW PLASTICS, INC.
PO BOX 648
BEDFORD, TEXAS 76095
(817) 439-3600
(817) 439-3700 (f)
www.dfwplasticsinc.com

DFW20AMRD-1KA-LID

CREATED: 08/17/2010

UPDATED: 04/01/2014

ACCEPTED: JMc

DRAWN BY: J.C.A.

PLOT SCALE: 1:4