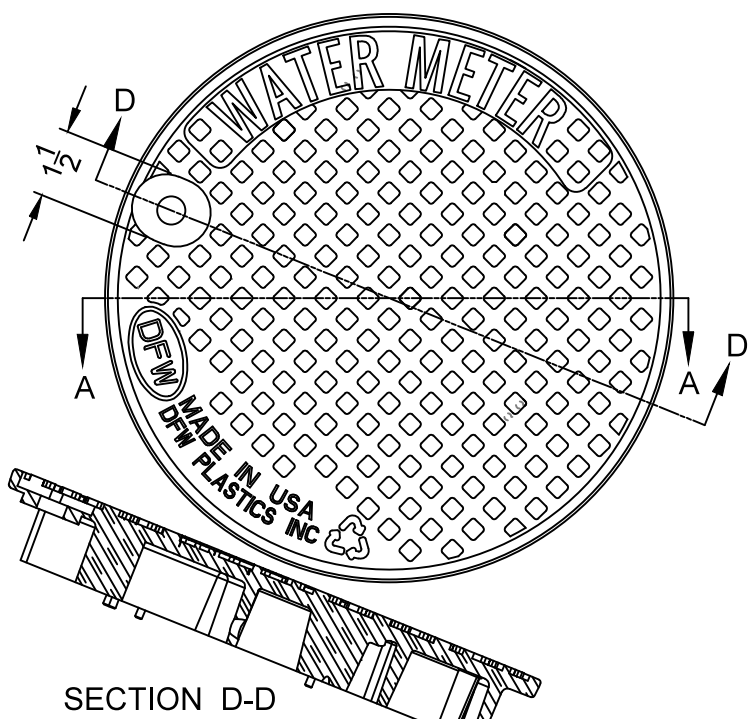
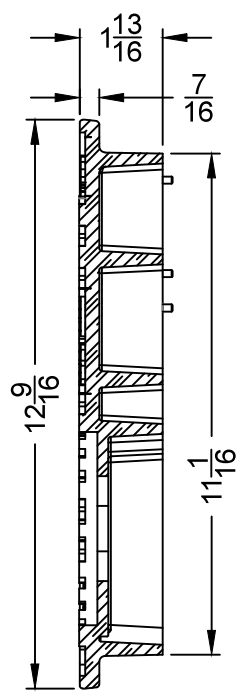
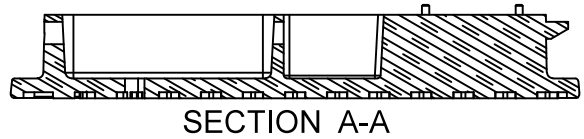
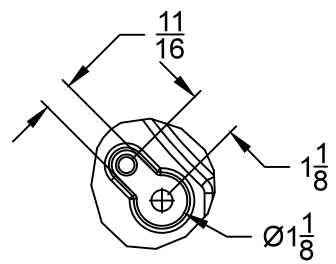
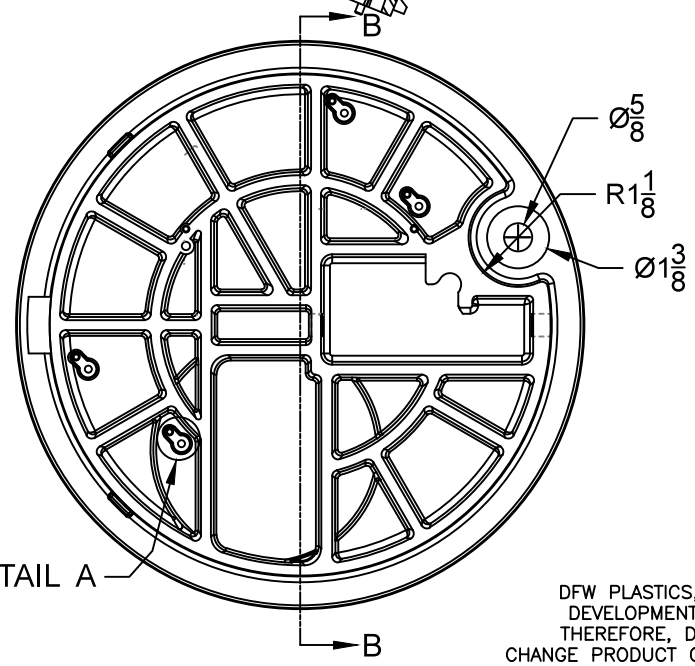


REVISIONS		
REV	DESCRIPTION	DATE
NR	NEW RELEASE	*



SECTION D-D



DETAIL A
SCALE 3.000

NOTES

- 1) DIM'S ± 1/16 U.N.O.
- 2) LID MATERIAL: P.P.

DFW PLASTICS, INC. ENGAGES IN ONGOING RESEARCH AND DEVELOPMENT TO IMPROVE AND ENHANCE ITS PRODUCTS. THEREFORE, DFW PLASTICS, INC. RESERVES THE RIGHT TO CHANGE PRODUCT OR SYSTEM SPECIFICATIONS WITHOUT NOTICE.



DFW PLASTICS, INC.
PO BOX 648
BEDFORD, TEXAS 76095
(817) 439-3600
(817) 439-3700 (f)
www.dfwplasticsinc.com

DFW800.1.LID

CREATED: 07/09/13
UPDATED: *
ACCEPTED: JMc
DRAWN BY: DFW
PLOT SCALE: 1:4