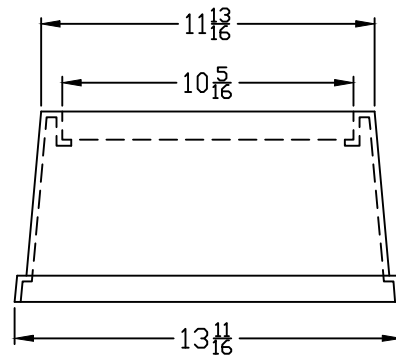
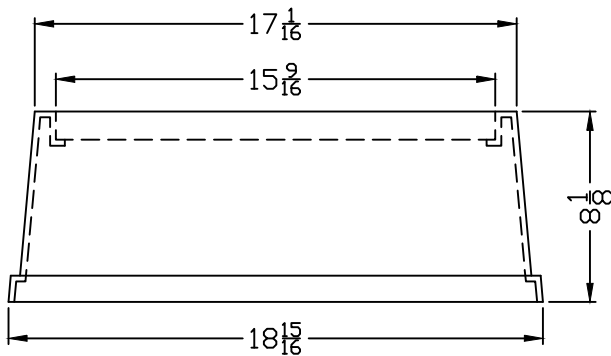
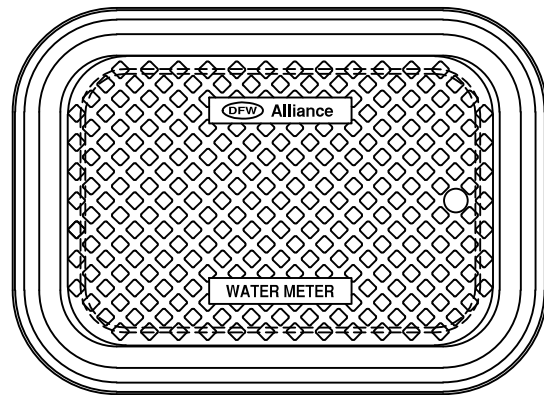
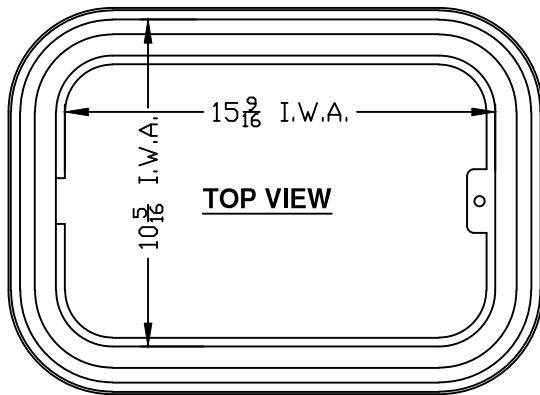


### DFW1200.1.LID

LID KEY	
1	BLACK COLOR



### DFW600.6.BODY

**NOTES**

- 1) DIM'S ± 1/8" U.N.O.
- 2) LID MATERIAL: POLYPROPYLENE
- 3) BODY MATERIAL: POLYPROPYLENE
- 4) I.W.A. = INSIDE WORKING AREA

DFW PLASTICS, INC. ENGAGES IN ONGOING RESEARCH AND DEVELOPMENT TO IMPROVE AND ENHANCE ITS PRODUCTS. THEREFORE, DFW PLASTICS, INC. RESERVES THE RIGHT TO CHANGE PRODUCT OR SYSTEM SPECIFICATIONS WITHOUT NOTICE.



DFW PLASTICS, INC.  
 PO BOX 648  
 BEDFORD, TEXAS 76095  
 (817) 439-3600  
 (817) 439-3700 (f)  
 www.dfwplasticsinc.com

# DFW600.6.1

CREATED: 09/12/2012

UPDATED: 09/17/2015

ACCEPTED: JMc

DRAWN BY: RMc

PLOT SCALE: 1:8