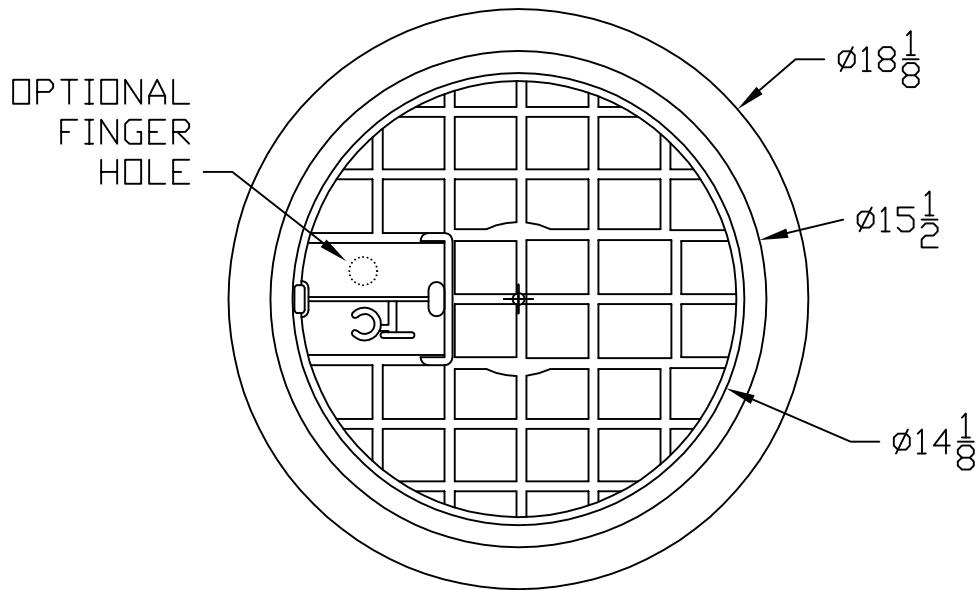
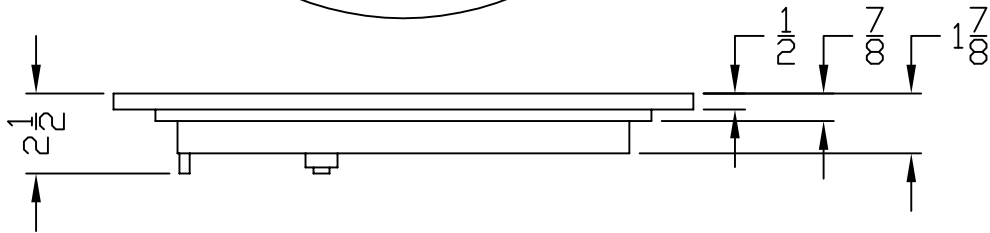
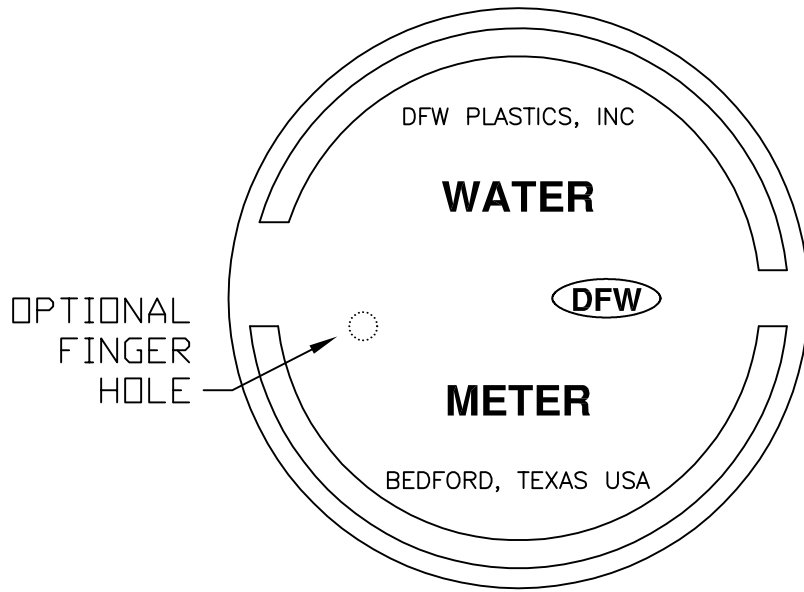


REVISIONS		
REV	DESCRIPTION	DATE
NR	NEW RELEASE	02/19/15

LID KEY	
1	BLACK COLOR

STANDARD OPTIONS	
1.	FINGER HOLE
2.	PLASTIC KEY LOCK
3.	BRASS KEY LOCK
4.	AMR LOCATOR
5.	TOUCH READ HOLE



NOTES

- 1) DIM'S $\pm 1/16$ U.N.O.
- 2) LID MATERIAL: P.P.

DFW PLASTICS, INC. ENGAGES IN ONGOING RESEARCH AND DEVELOPMENT TO IMPROVE AND ENHANCE ITS PRODUCTS. THEREFORE, DFW PLASTICS, INC. RESERVES THE RIGHT TO CHANGE PRODUCT OR SYSTEM SPECIFICATIONS WITHOUT NOTICE.



DFW PLASTICS, INC.
 PO BOX 648
 BEDFORD, TEXAS 76095
 (817) 439-3600
 (817) 439-3700 (f)
 www.dfwplasticsinc.com

DFW18F.1.LID

CREATED:	02/19/15
UPDATED:	*
ACCEPTED:	*
DRAWN BY:	J.C.A.
PLOT SCALE:	1:6